

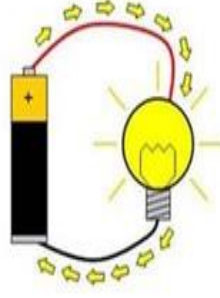
What is electricity?	<ul style="list-style-type: none"> Electricity is created by generators which can be powered by gas, coal, oil, wind or solar. Electricity is dangerous, so be careful when using electrical appliances.
What is a switch?	<ul style="list-style-type: none"> You can use a switch in a circuit to create a gap in a circuit. This can be used to switch it on and off. When a switch is open (off), there is a gap in the circuit. Electricity cannot travel around the circuit.
What is an electrical insulator?	Some materials do not allow electricity to pass through them. They are known as electrical insulators.
What is an electrical conductor?	Some materials let electricity pass through them easily. They are known as electrical conductors.

Science – Electricity
YEAR 4

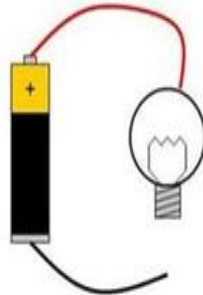
Closed Circuit- a complete path for the flow of electric current.

Open Circuit- an incomplete path for the flow of electric current

Closed circuit

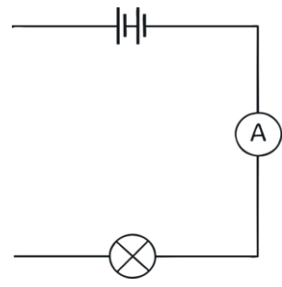


Open circuit



Electrical Circuits

Electricity can flow through the components in a complete electrical circuit.
Electricity will only travel around a circuit that is complete. That means it has no gaps.



twinkl.com

The circuit above is not complete, which means that the bulb will not light. It is incomplete because there is a gap in the circuit.

Common appliances that run from electricity

Fridge	Kettle	Microwave	Toaster	Television
				



Vocabulary	Definition
Generator	A machine that make electrical energy
Component	A part of something (a part of a circuit)
Circuit	A path through which an electrical current flows.
Current	The flow of electrical charge
Connected	Something that is joined or linked